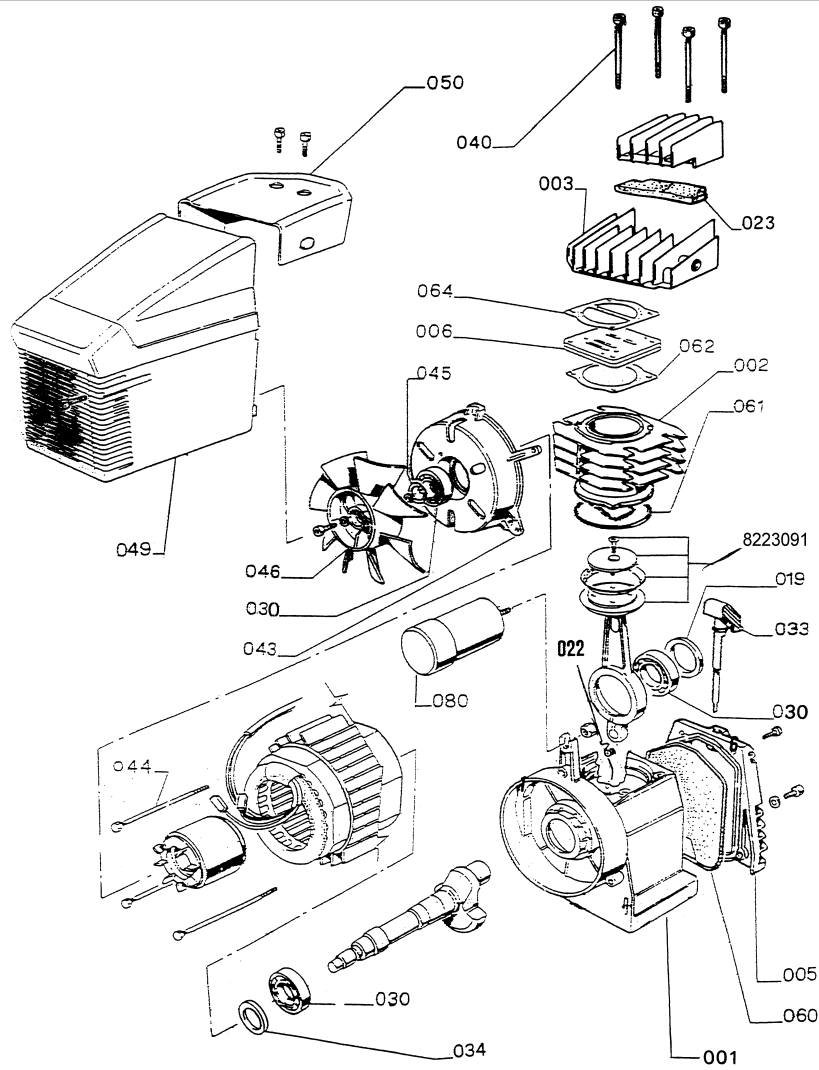


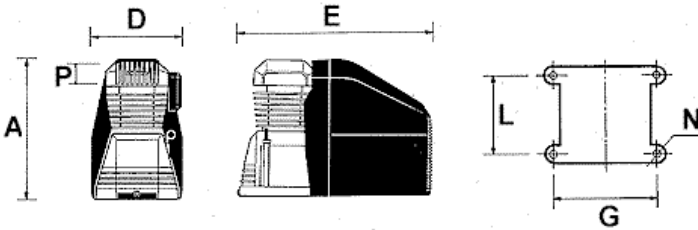
Code:

6S00000

F1/241 - 230V 50Hz - 2.0HP 2P



Dimensions:



In mm

A	B	C	D	E	F	G	L	M	N	P
270	/	/	165	375	/	139	64	/	9	3/8" F

Box Weight: Kg Box Dimensions: W x D x L: x x

Tightening Torques, Cylinder Head:

Bolt Size:	<input type="text" value="M6"/>	
Min Torque:	<input type="text" value="9.3"/>	Nm
Max Torque:	<input type="text" value="11.36"/>	Nm

Technical Data:

Cylinders:	<input type="text" value="1"/>			
Stages:	<input type="text" value="1"/>			
Air Flow:	<input type="text" value="240"/>	L/m in	<input type="text" value="8,5"/>	cfm
Power:	<input type="text" value="1,5"/>	Kw	<input type="text" value="2"/>	HP
Speed:	<input type="text" value="2850"/>	rpm		
Max Pressure:	<input type="text" value="8"/>	Bar	<input type="text" value="116"/>	psi

Code: 6S00000
F1/241 - 230V 50Hz - 2.0HP 2P



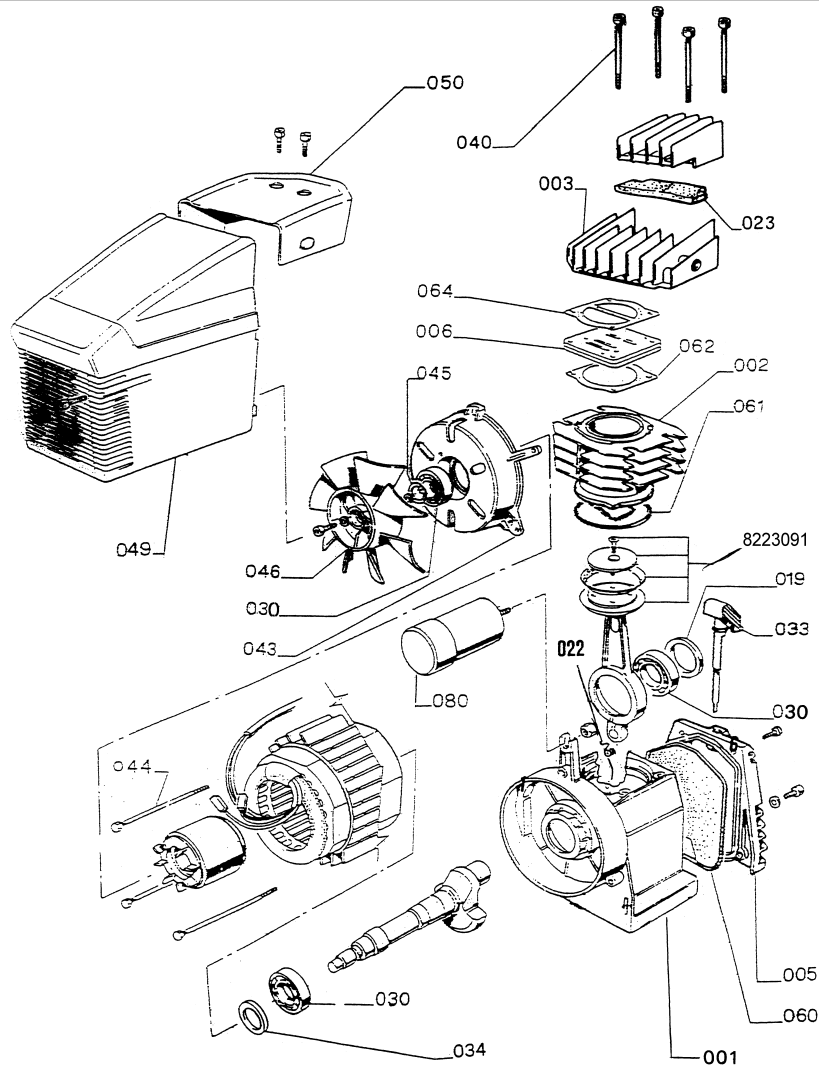
<i>Svc</i>	<i>Ref</i>	<i>Code</i>	<i>Description</i>	<i>Qty</i>	<i>Modified</i>
<input checked="" type="checkbox"/>	000	6R50050	Gasket Kit	1	
<input type="checkbox"/>	001	6P61100	Crankase	1	
<input type="checkbox"/>	001	7161100	Crankase	1	11.04.1999
<input type="checkbox"/>	002	6P30001	Cylinder	1	
<input type="checkbox"/>	003	7361400	Pump head	1	
<input type="checkbox"/>	005	7161300	Sump base	1	
<input checked="" type="checkbox"/>	006	0540051	Valve plate assy.	1	
<input type="checkbox"/>	022	9014009	Oil dipper	1	
<input checked="" type="checkbox"/>	023	7181100	Filter	1	
<input type="checkbox"/>	030	9170060	Bearing	1	28.11.1999
<input type="checkbox"/>	030	9170091	Bearing	1	
<input type="checkbox"/>	030	9170030	Bearing	1	
<input type="checkbox"/>	030	9170097	Bearing	1	
<input type="checkbox"/>	033	9024015	Oil fill plug	1	
<input type="checkbox"/>	034	9163010	Oil seal	1	
<input type="checkbox"/>	040	9011043	Cylinder head bolts	4	
<input type="checkbox"/>	043	6562203	Motor cover	1	11.04.1999
<input type="checkbox"/>	043	6P62200	Motor cover	1	
<input type="checkbox"/>	044	9011040	Motor bolts	3	
<input type="checkbox"/>	045	9140170	Circlip	1	
<input type="checkbox"/>	045	9140160	Circlip	1	
<input type="checkbox"/>	046	9038017	Fan	1	
<input type="checkbox"/>	049	830190A	Cover	1	
<input type="checkbox"/>	050	830130A	Cover plate	1	
<input type="checkbox"/>	080	9067026	Capacitor	1	

Svc = Service Item

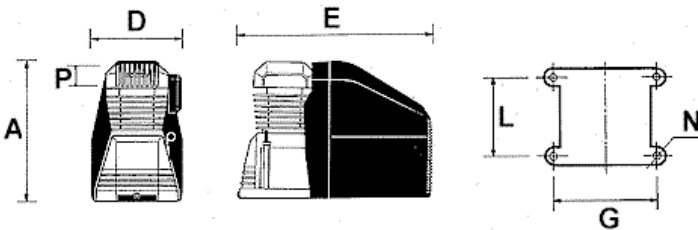
Code:

6S00002

F1/241 - 400V 50Hz - 2.0HP 2P



Dimensions:



In mm

A	B	C	D	E	F	G	L	M	N	P
270	/	/	165	375	/	139	64	/	9	3/8" F

Box Weight: Kg Box Dimensions: W x D x L: x x

Tightening Torques, Cylinder Head:

Bolt Size:	<input type="text" value="M6"/>	
Min Torque:	<input type="text" value="9.3"/>	Nm
Max Torque:	<input type="text" value="11.36"/>	Nm

Technical Data:

Cylinders:	<input type="text" value="1"/>		
Stages:	<input type="text" value="1"/>		
Air Flow:	<input type="text" value="240"/>	L/m in	<input type="text" value="8,5"/>
Power:	<input type="text" value="1,5"/>	Kw	<input type="text" value="2"/>
Speed:	<input type="text" value="2850"/>	rpm	
Max Pressure:	<input type="text" value="8"/>	Bar	<input type="text" value="116"/>

Code: 6S00002
F1/241 - 400V 50Hz - 2.0HP 2P



<i>Svc</i>	<i>Ref</i>	<i>Code</i>	<i>Description</i>	<i>Qty</i>	<i>Modified</i>
<input checked="" type="checkbox"/>	000	6R50050	Gasket Kit	1	
<input type="checkbox"/>	001	7161100	Crankase	1	
<input type="checkbox"/>	002	6P30001	Cylinder	1	
<input type="checkbox"/>	003	7361400	Pump head	1	
<input type="checkbox"/>	005	7161300	Sump base	1	
<input checked="" type="checkbox"/>	006	0540051	Valve plate assy.	1	
<input type="checkbox"/>	022	9014009	Oil dipper	1	
<input checked="" type="checkbox"/>	023	7181100	Filter	1	
<input type="checkbox"/>	030	9170091	Bearing	1	
<input type="checkbox"/>	030	9170060	Bearing	1	12.11.2000
<input type="checkbox"/>	030	9170097	Bearing	1	
<input type="checkbox"/>	030	9170030	Bearing	1	
<input type="checkbox"/>	033	9024015	Oil fill plug	1	
<input type="checkbox"/>	034	9163010	Oil seal	1	
<input type="checkbox"/>	040	9011043	Cylinder head bolts	4	
<input type="checkbox"/>	043	6562203	Motor cover	1	
<input type="checkbox"/>	044	9011040	Motor bolts	3	
<input type="checkbox"/>	045	9140170	Circlip	1	
<input type="checkbox"/>	045	9140160	Circlip	1	
<input type="checkbox"/>	046	9038017	Fan	1	
<input type="checkbox"/>	049	830190A	Cover	1	
<input type="checkbox"/>	050	830130A	Cover plate	1	

Svc = Service Item